



### GLDA01E7B



*Actual product appearance may vary.*

**Global Limit Switches Series GLS:  
Wobble - Coil Spring, 1NC 1NO SPDT  
Snap Action, 0.5 in - 14NPT conduit**

#### Features

- Designed to IEC standard for world-wide applications
- UL, CSA, and CE
- International conduit sizes
- Direct PLC interface compatible (two circuit)
- Modular construction reduces maintenance parts costs
- Designed for ease of installation
- Variety of basic switch versions
- Wide choice of actuators

#### Potential Applications

- Machine tools: metal fabrication equipment, presses, transfer lines and special machinery
- Material handling equipment: conveyors, elevators, cranes, and hoists
- Packaging machinery and process equipment
- Textile machinery
- Construction machinery and equipment, vehicles and lift trucks

#### Description

The GLS series limit switches are specifically designed for world-wide applications and are supported by Honeywell global resources for sale and after sale service.

Product Specifications	
Availability	Global
Operating Force (O.F.)	1,3 N [0.29 lb]
Pretravel (P.T.)	16°
Differential Travel (D.T.)	10°
Product Type	EN50041/47 Global Limit Switch
Actuator	Wobble - Coil Spring
Lever Style	None
Circuitry	1NC 1NO SPDT Snap Action
Ampere Rating	10 A (Thermal)
Supply Voltage	600 Vac and 250 Vdc max.
Housing Material	Plastic

Termination Type	0.5 in - 14NPT conduit
Housing Type	EN 50047
Series Name	GLS MIN-DIN
Shock	50 g per IEC 68-2-27c (w/o Actuator)
Vibration	10 g per IEC 68-2-6 (w/o Actuator)
Sealing	NEMA 1, 12, 13 IP66
Approvals	UL, CSA, CE
CSA File #	LR94369-3
UL File #	E37138 & E157416
Mechanical Life	5 million
Operating Temperature Range	-25 °C to 85 °C [-13 °F to 185 °F]
Agency Approvals and Standards	IEC 947-5-1, EN60947-5-1, UL508, UL746-C
UNSPSC Code	302119
UNSPSC Commodity	302119 Switches and controls and relays
Sealed	Industrial

---

**MTG-GL-176**

REPLACES AO1B-3B

DRAWING NUMBER

ISSUE

9

RELEASE NUMBER

AO1B-3B

REVISIONS

6	7/96
AO1B-262	
7	12/96
AO1B-293	
8	7/97
CO-000083	
9	CO/395
I WEIR 6/99	

**Honeywell**

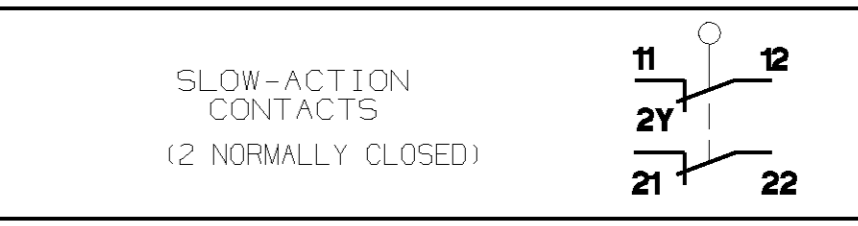
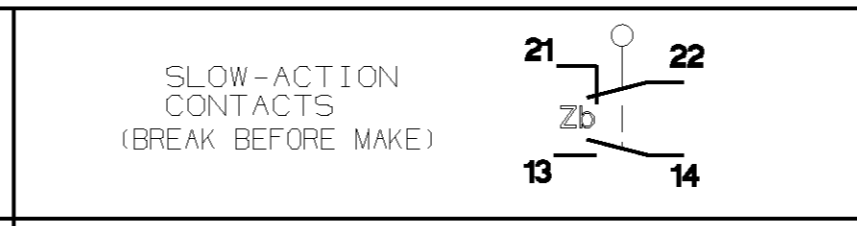
**LIMIT SWITCH**

CATALOGUE LISTING

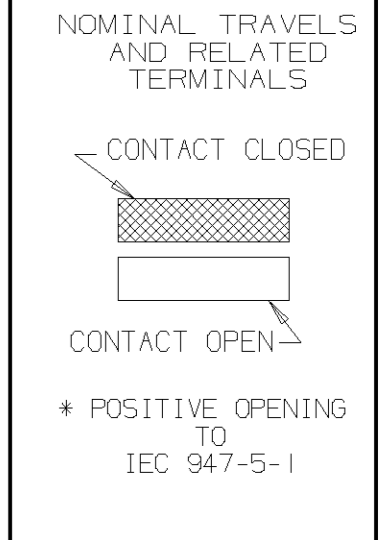
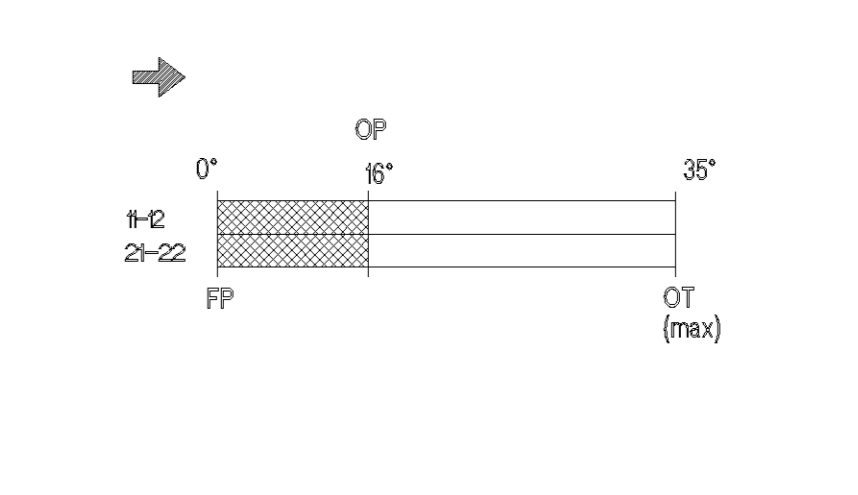
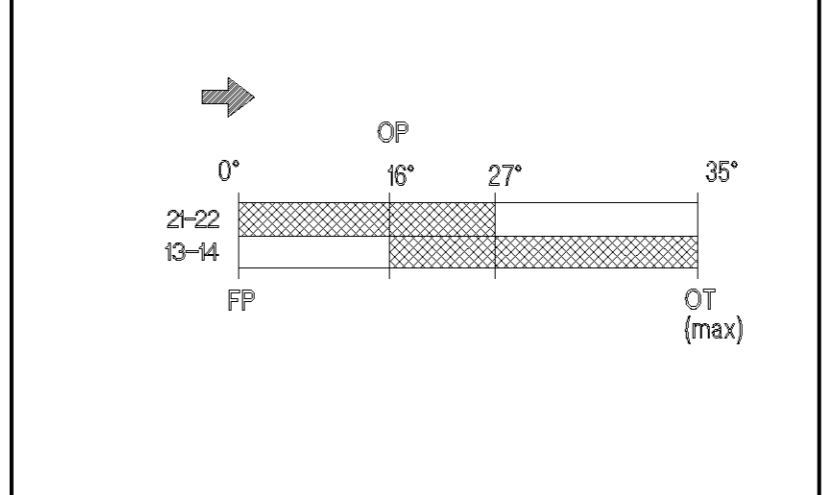
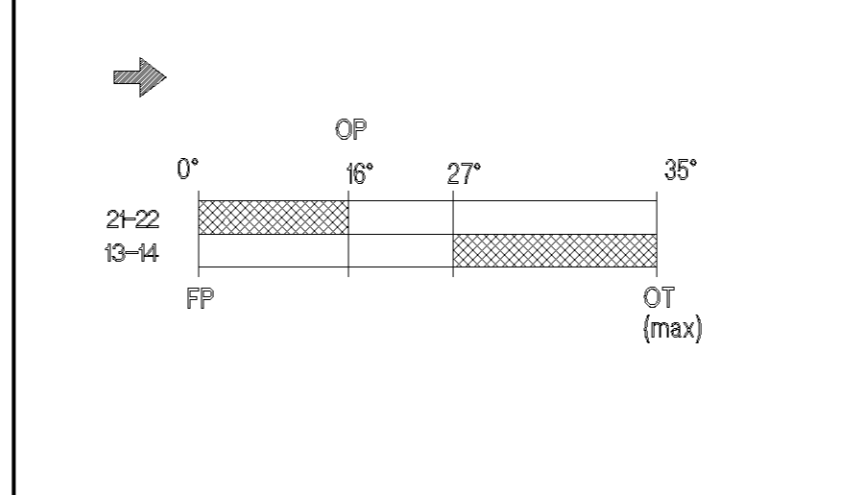
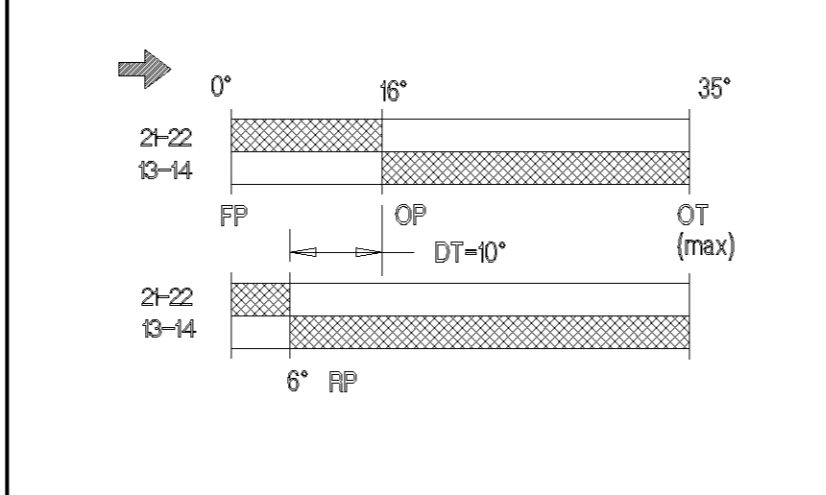
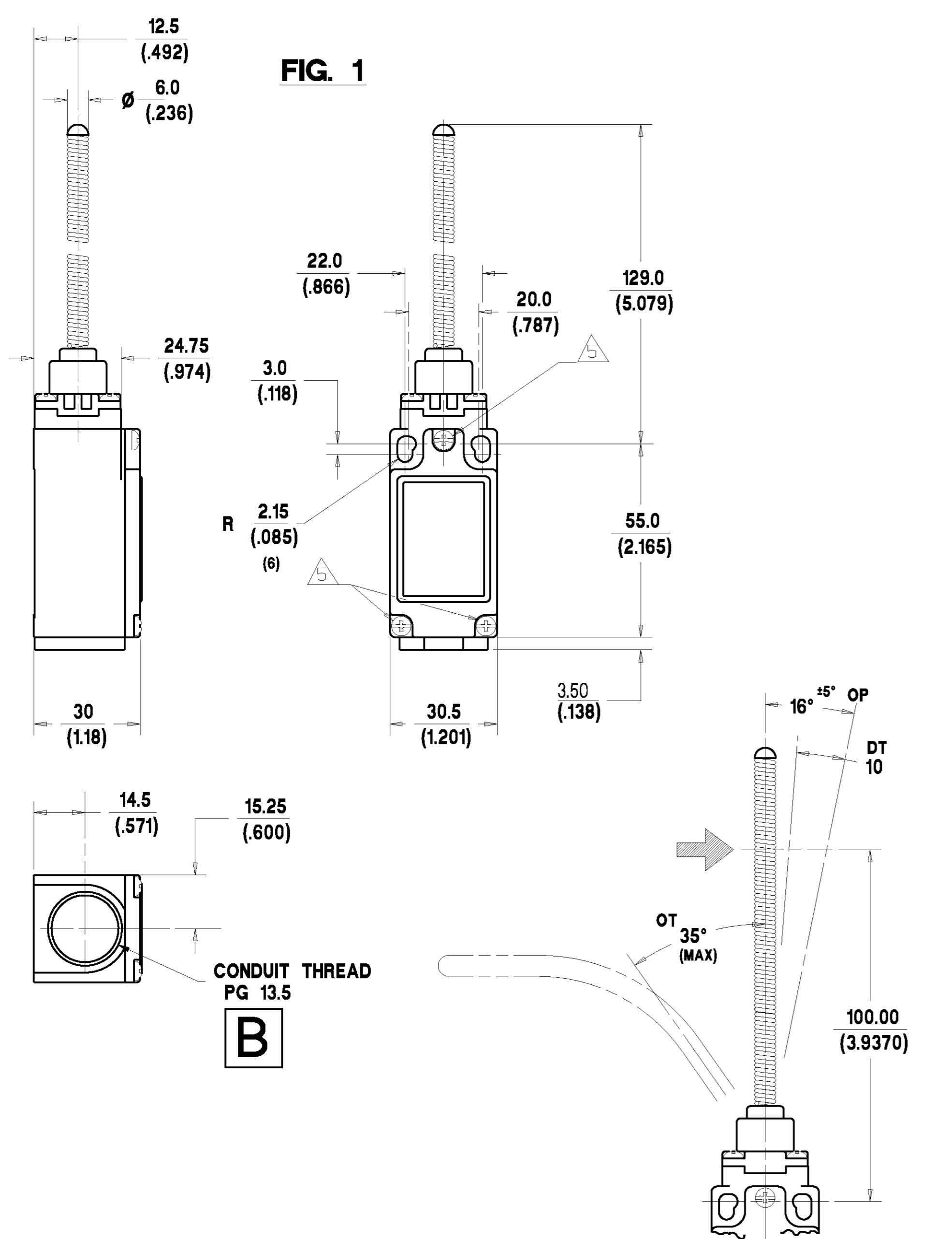
**GLS**

CHART NO.

**MTG-GL-176**

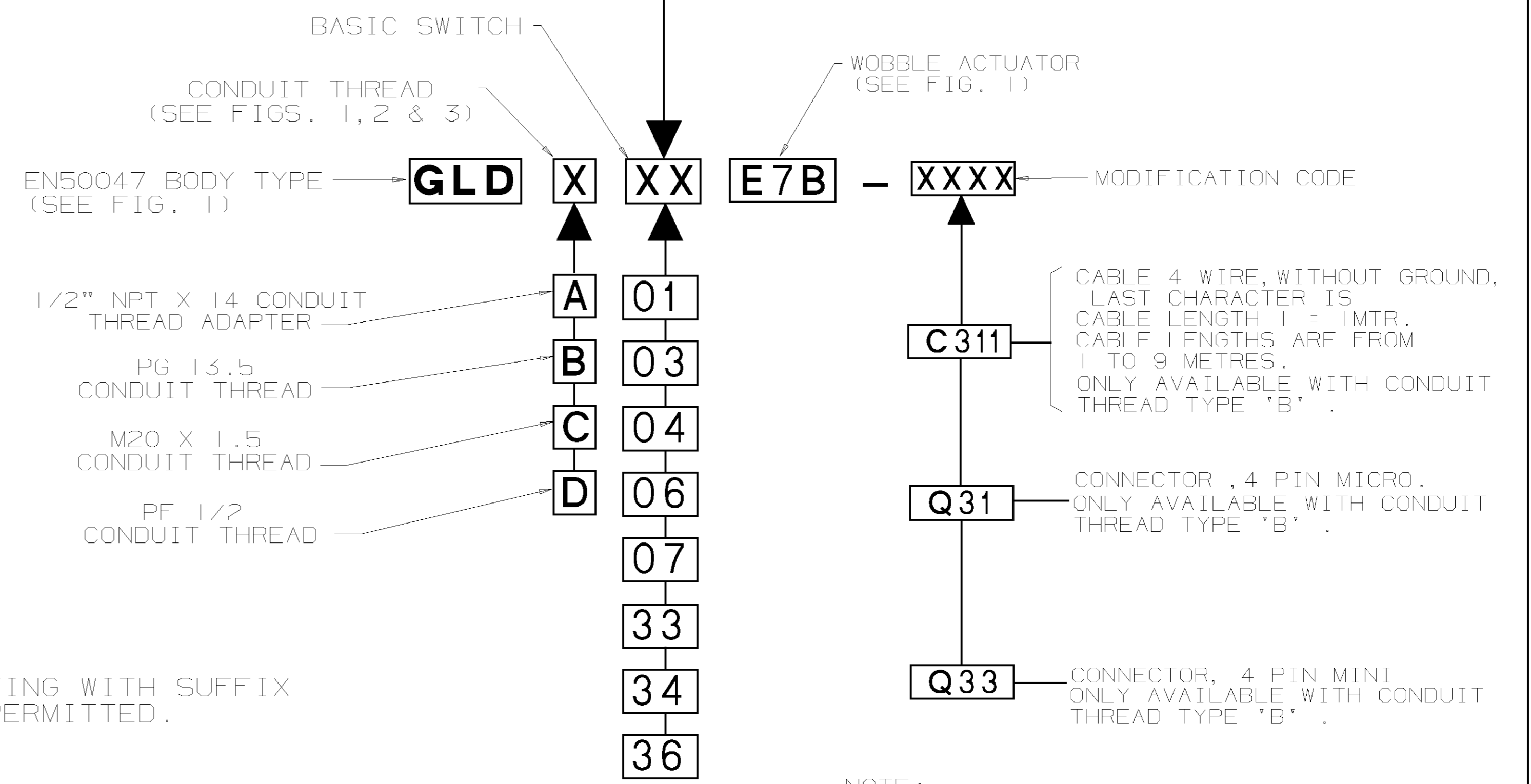
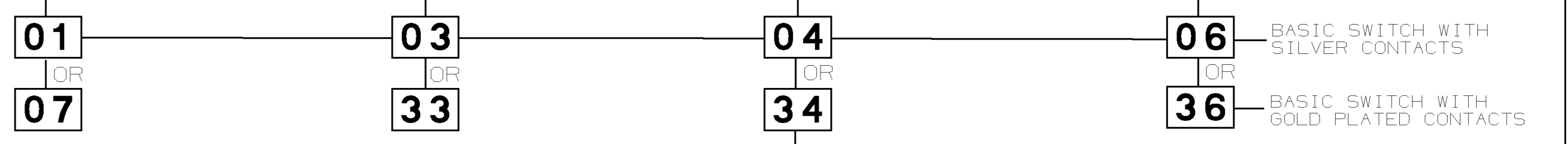


CONTACT BLOCK DIAGRAM TERMINAL DESIGNATION TO EN 50013



1.3 (0.29)      1.1 (0.25)      1.2 (0.27)      1.1 (0.25)

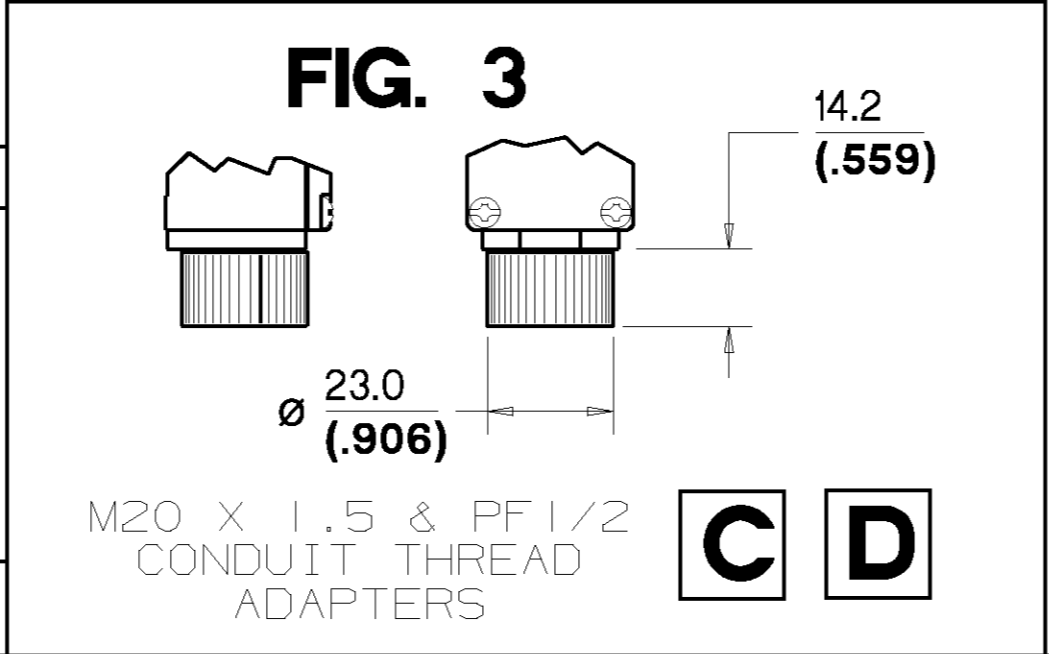
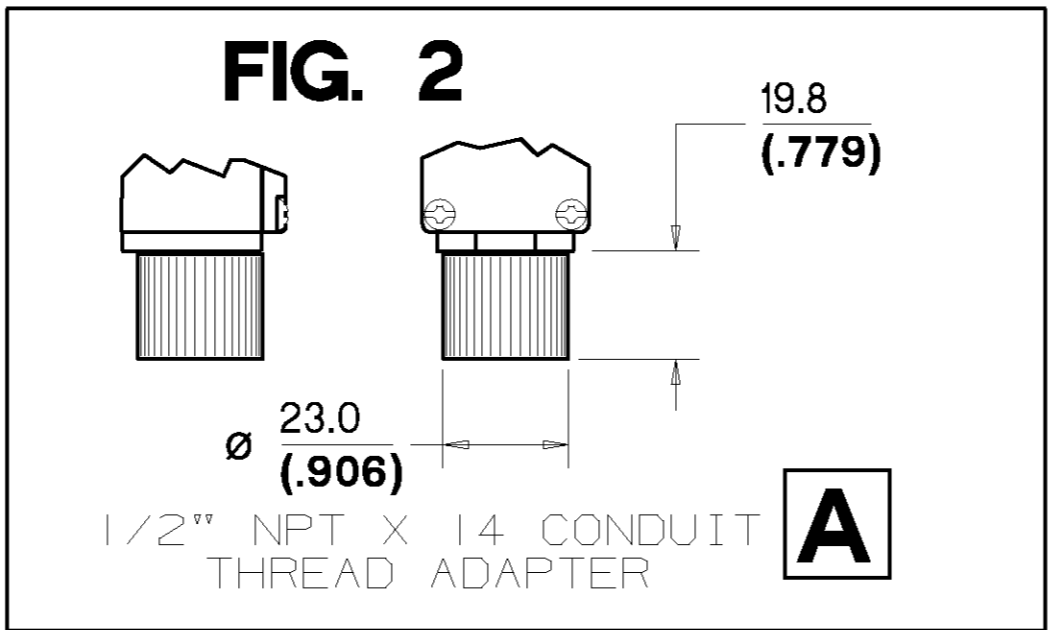
NORMAL OPERATING FORCE MAX **N** (lbf)



NOTE :- ANY STANDARD LISTING WITH SUFFIX 'RS' OR 'FE' IS PERMITTED.

- NOTES :-
- MICRO SWITCH BLUE GLASS FILLED POLYESTER HOUSING & COVER. BLACK GLASS FILLED POLYAMIDE HEAD.
  - ENCLOSURE DOUBLE INSULATED TO IEC 539 CLASS II.
  - MINIMUM OPERATING VELOCITY (Vmin) = 0.26 rad/s  
MAXIMUM OPERATING VELOCITY (Vmax) = 25 rad/s  
MAXIMUM OPERATING FREQUENCY (Fmax) = 250 OPS/MIN
  - FREE POSITION (FP), OPERATING POINT (OP), OVERTRAVEL (OT) AND PRETRAVEL (PT) ALL TO EN50047.
  - MAXIMUM TIGHTENING TORQUE FOR FIXING SCREW = 0.5Nm (4.4in.LB)

NO CHANGES CAN BE MADE TO THIS DRAWING WITHOUT JOINT NEWHOUSE/FREEPORT APPROVAL



NOTE: FOR CONNECTION DIAGRAMS AND ADDITIONAL ELECTRICAL, ENVIRONMENTAL & DIMENSIONAL INFORMATION SEE DRAWING GL-49212.

3/93	3/93	3/93	IEC 947-5-1 ELECTRICAL RATING		
DRAWN M. LOCH	CHECK I. WEIR	DESIGN J. BOYD	SILVER CONTACTS		GOLD PLATED CONTACTS
			AC	AC (FOR 2NC)	DC
A600	AC15	A500	AC15	0300	DC13
U <sub>e</sub>	I <sub>e</sub>	U <sub>e</sub>	I <sub>e</sub>	U <sub>e</sub>	I <sub>e</sub>
120	5	120	5	125	0.27
240	3	240	3	250	0.27
380	1.5	380	1.5		
480	1.0	480	1.0		
500	0.75	500	0.75		
600	0.5				
ENVIRONMENTAL			APPROVALS		
IP66 NEMA 1, 4, 12, 13			UL		
TEMP RANGE : -25°C TO 85°C -13°F TO 185°F			IEC 947-5-1		
STORAGE : -40°C TO 85°C -40°F TO 185°F			EN50047		
SHOCK : 50G PER IEC 68-2-27					
VIBRATION : 10G PER IEC 68-2-6					
SCALE: DIMENSIONS ARE IN MM/INCHES.			MODIFY ON CAD SYSTEM ONLY		
THE COPYRIGHT OF THIS DRAWING IS THE PROPERTY OF HONEYWELL LTD. THE DRAWING IS SUPPLIED IN CONFIDENCE AND MUST NOT BE USED FOR ANY PURPOSE OTHER THAN THAT FOR WHICH IT IS SUPPLIED.					